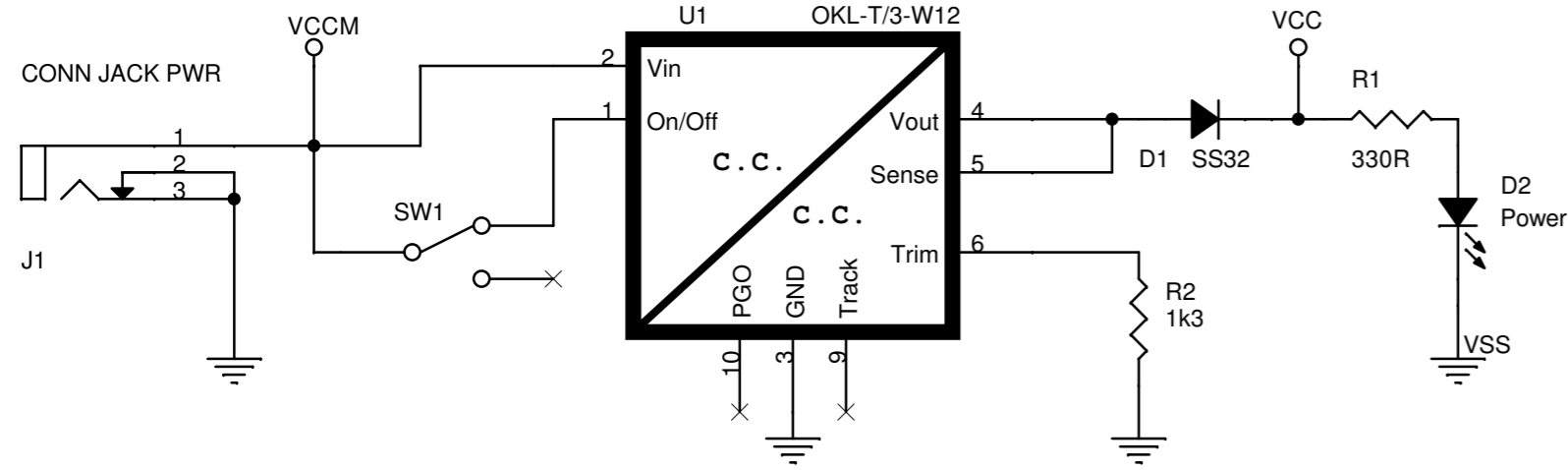
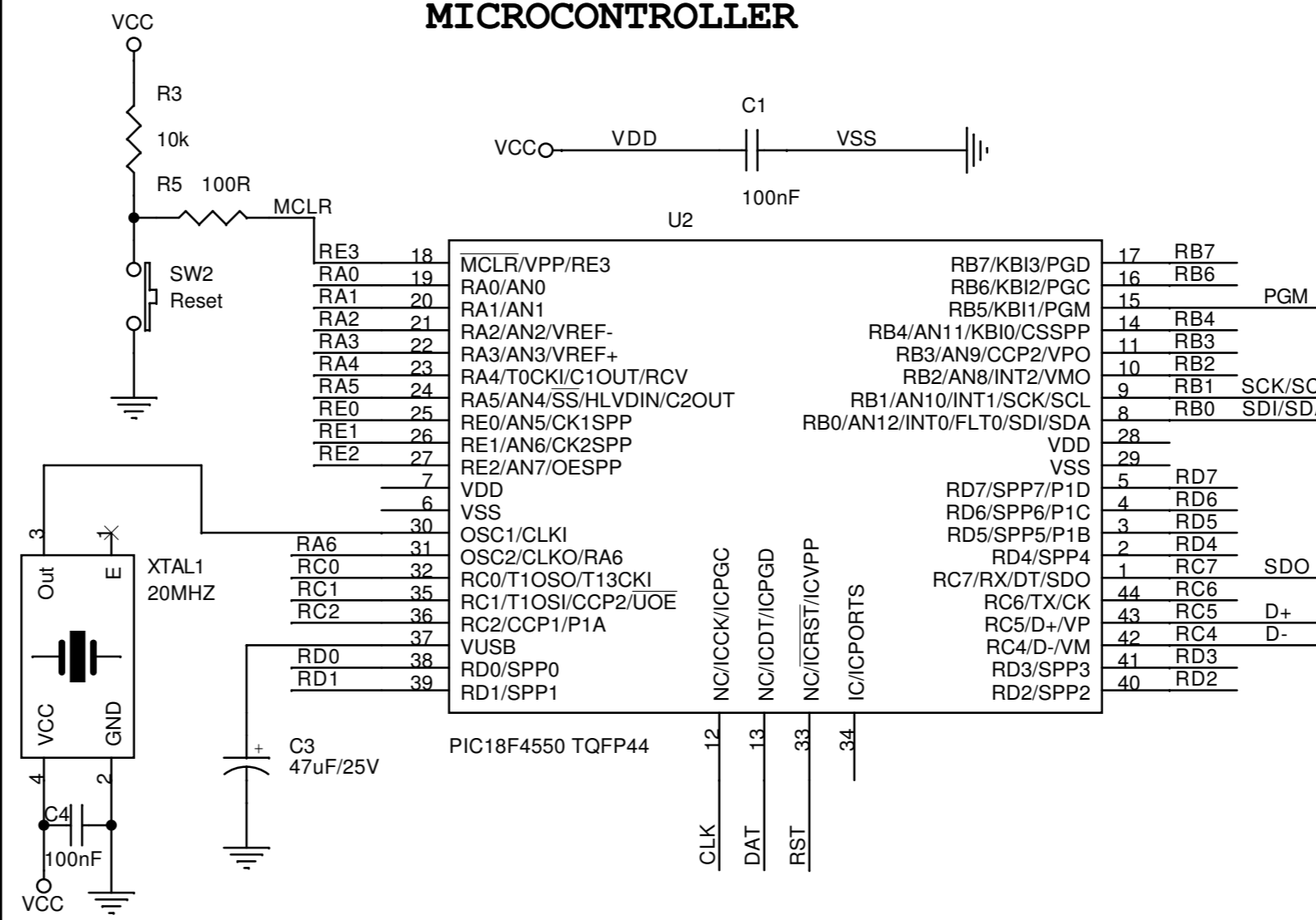


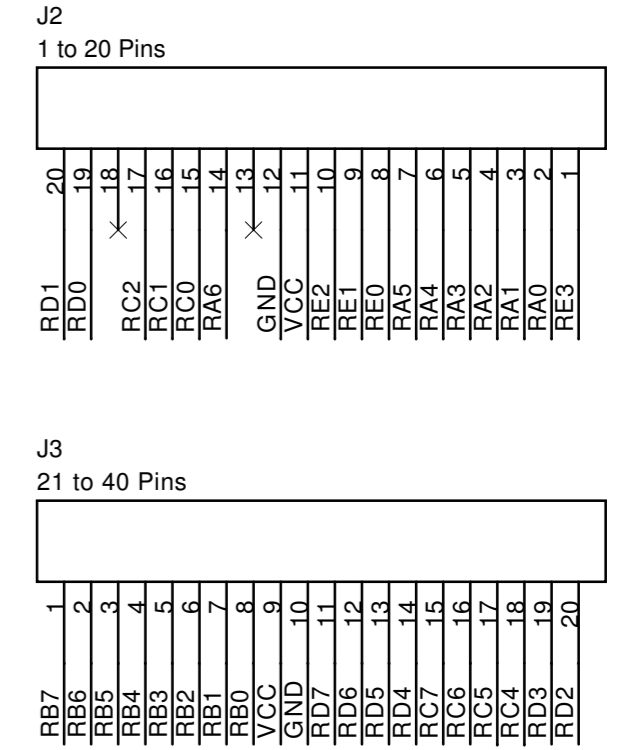
FEEDING
VCCM is the motor feeding.
VCC is the electronic feeding.



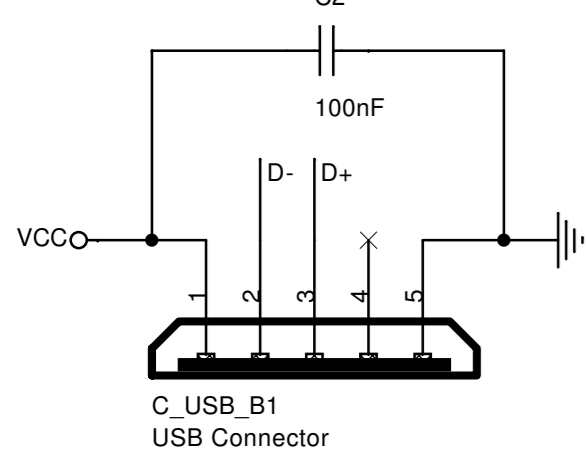
MICROCONTROLLER



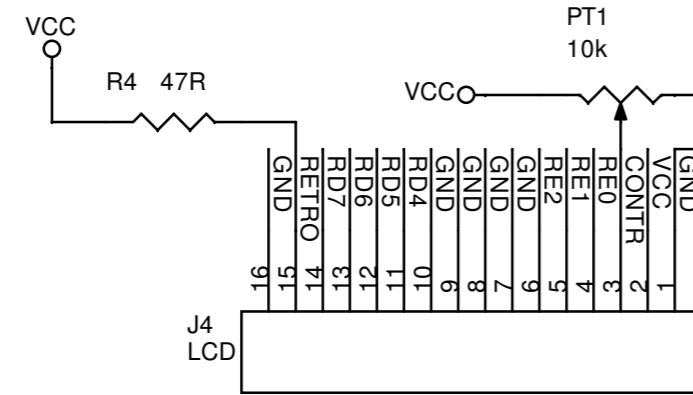
FEMALE PIN STRIP
Gives access to all PIC pins, except OSC and V USV



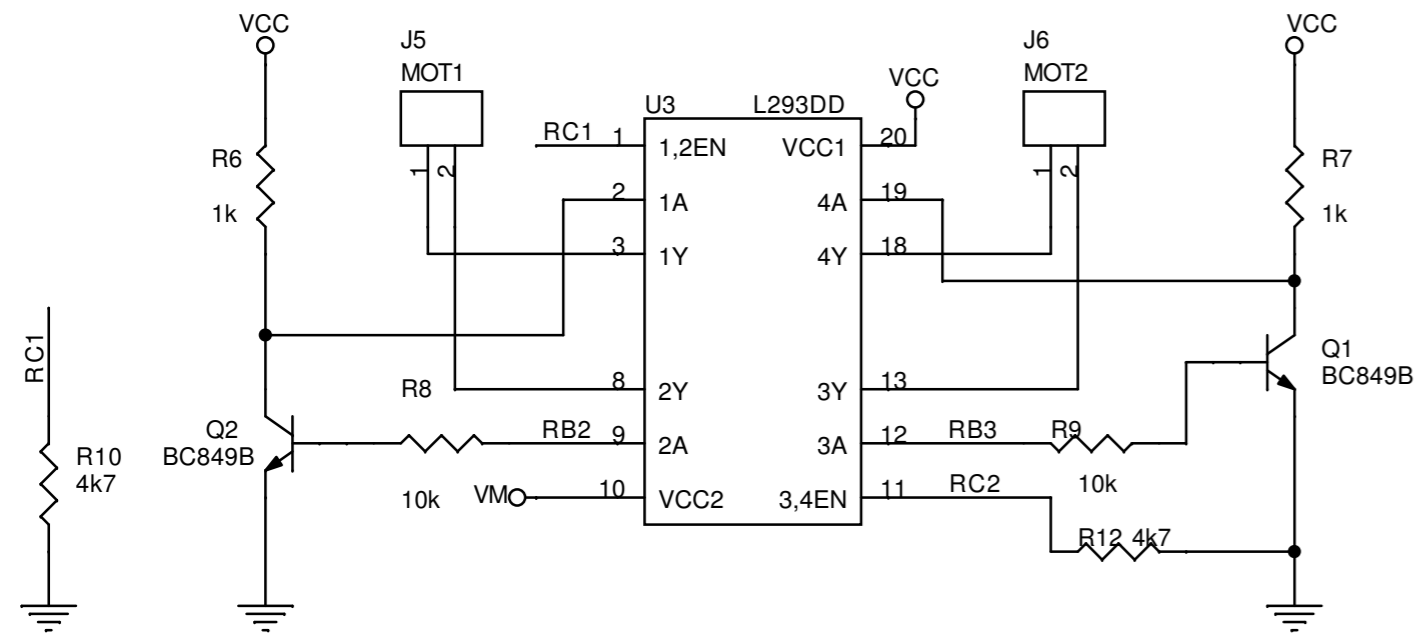
USB



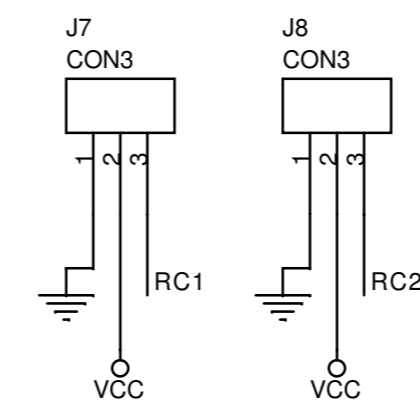
LCD Connector



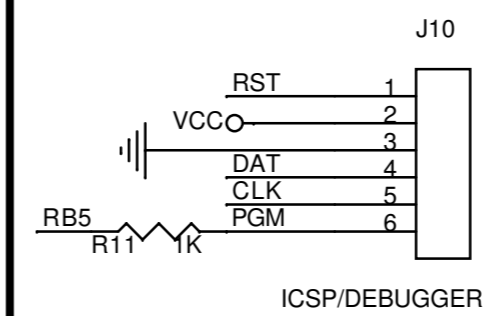
DC MOTORS



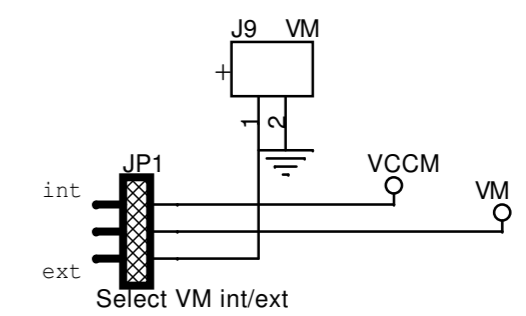
SERVO



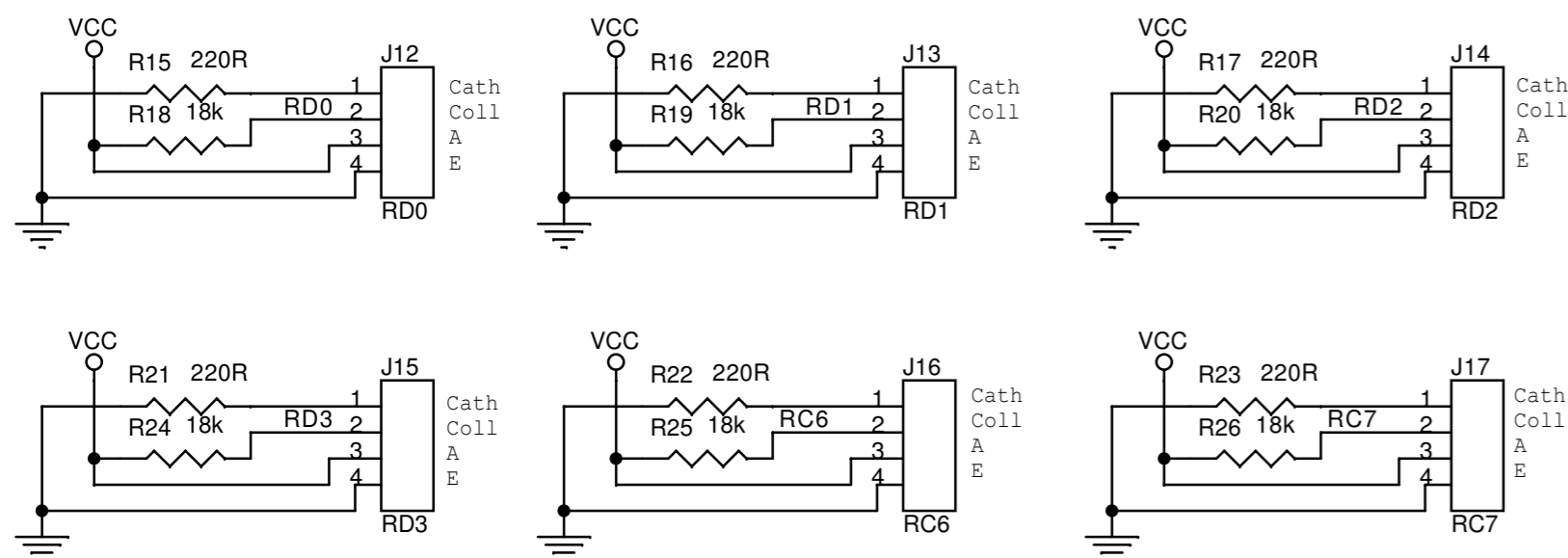
ICSP CONNECTOR
Pins with the same order than PICKIT2 & PICKIT3



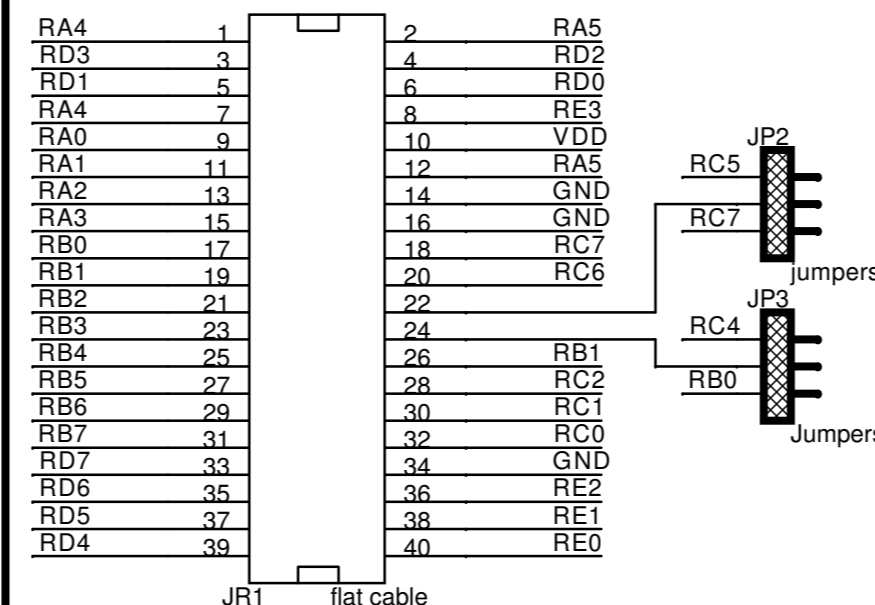
MOTOR FEEDING SELECTION
The 3-pin jumper allows to select the VM value between VCCM (integrated or circuit feeding) and an exterior power supply.



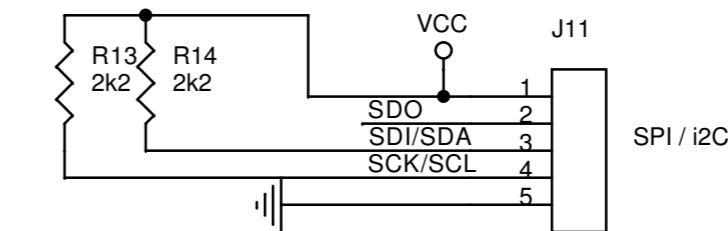
SENSOR INPUTS



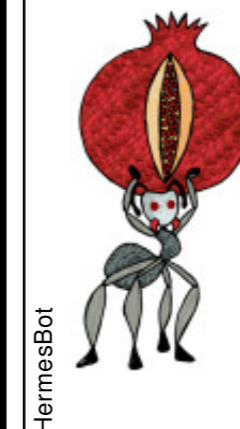
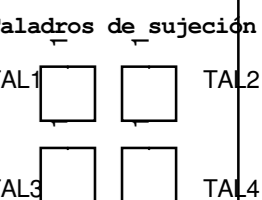
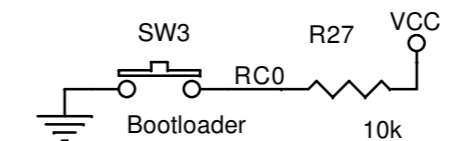
MoniBot interface and compatibility



SPI / i2C COMMUNICATION



USB PROGRAMMING
Hold pushed while Reset or USB connection



Centro	I.E.S. Virgen de las Nieves
Ciclo Formativo	Desarrollo de Productos Electrónicos
Proyecto	
Documento	Motherboard with PIC18F4550. Model IM-TPL
Fecha	Febrero de 2012
Formato	A3