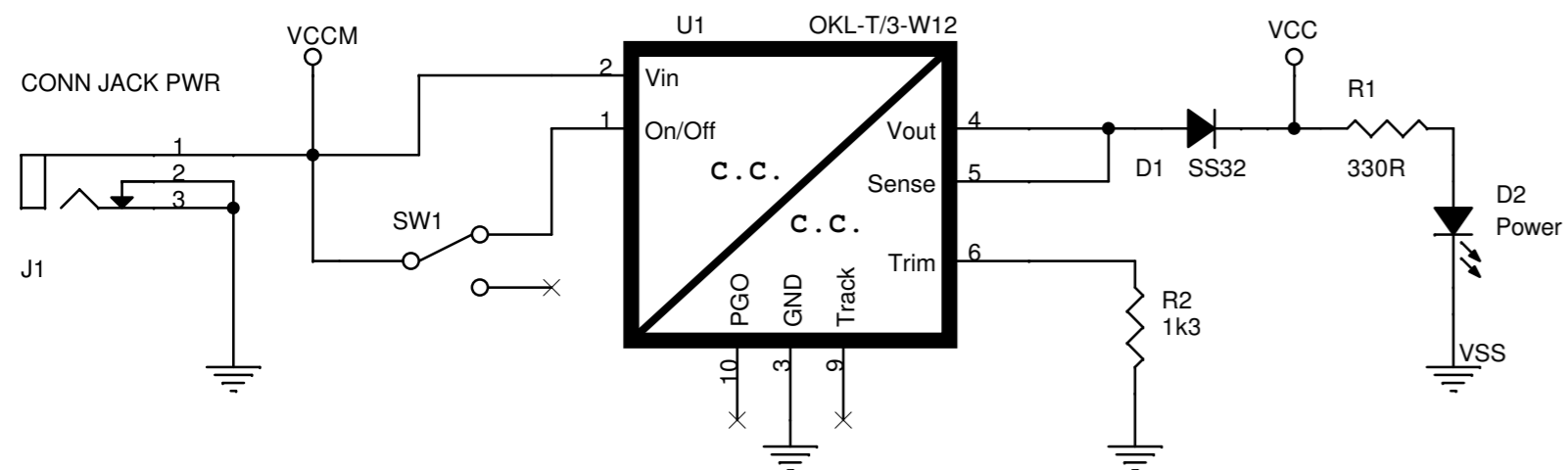
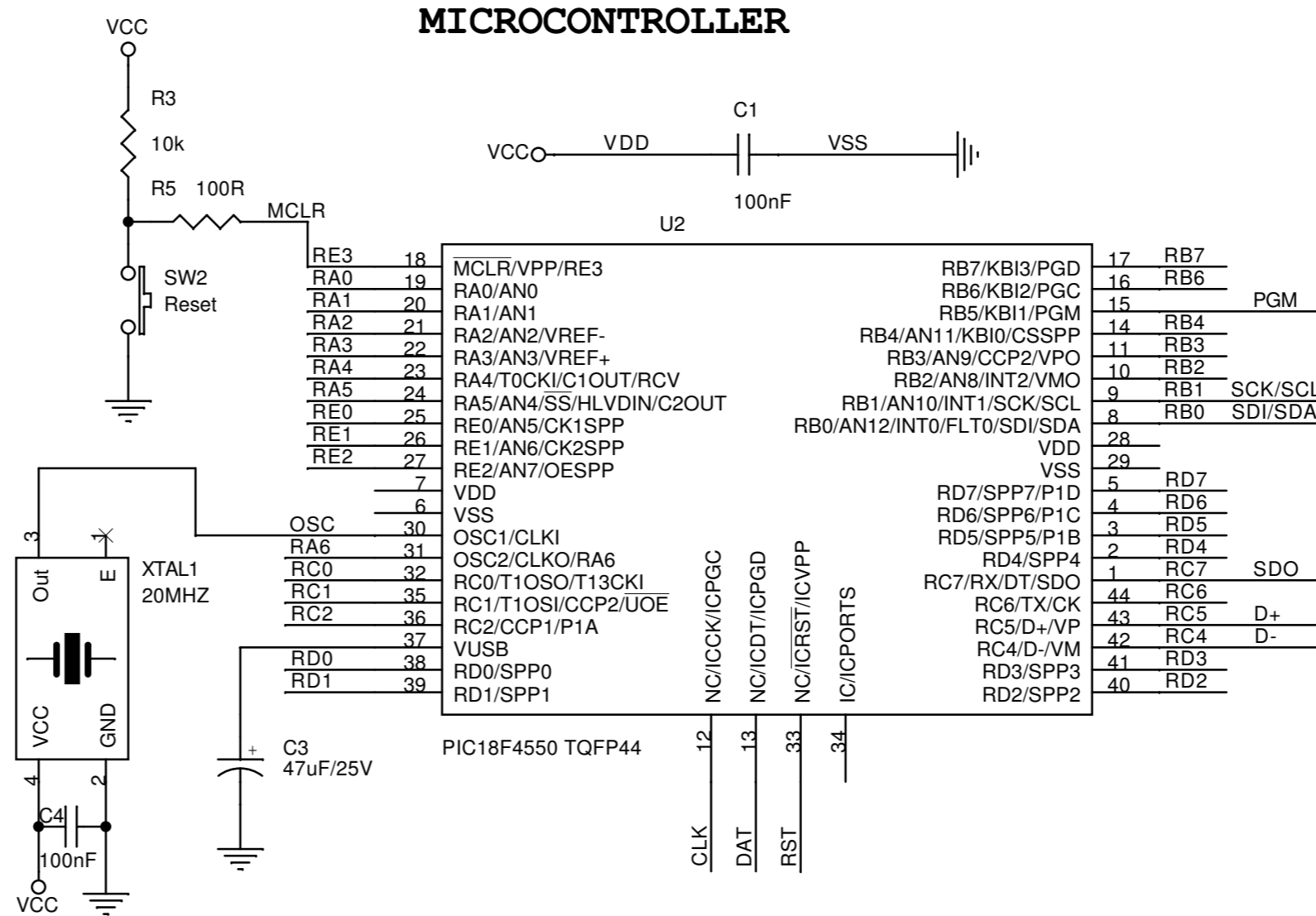


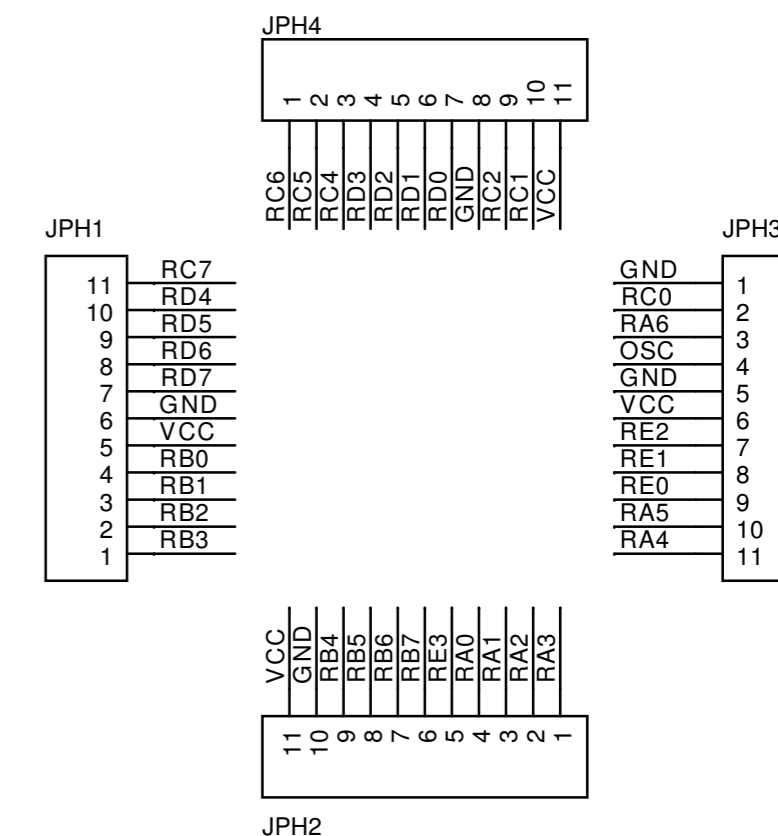
FEEDING
VCCM is the motor feeding.
VCC is the electronic feeding.



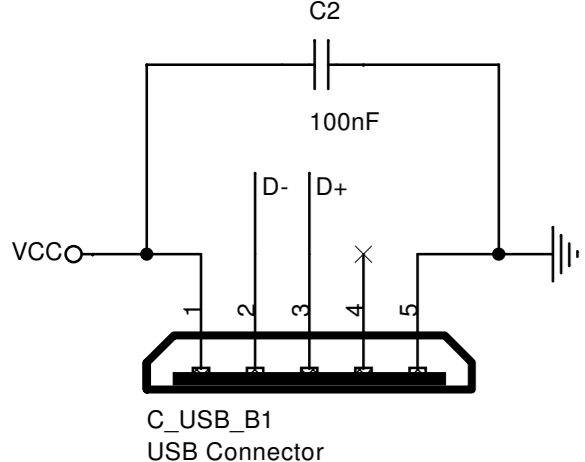
MICROCONTROLLER



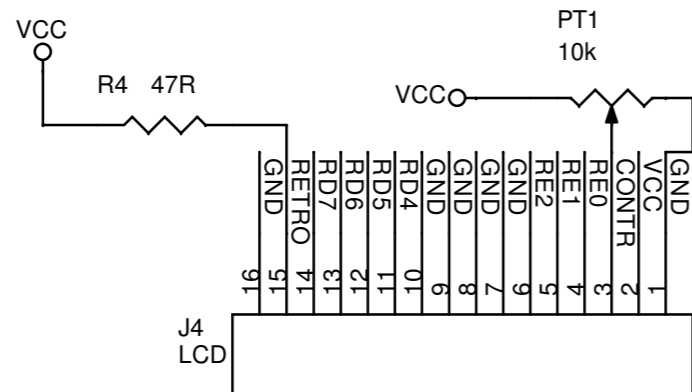
FEMALE PIN STRIP
Gives access to all PIC pins, except V_USB and ICSP/ICD dedicated port.



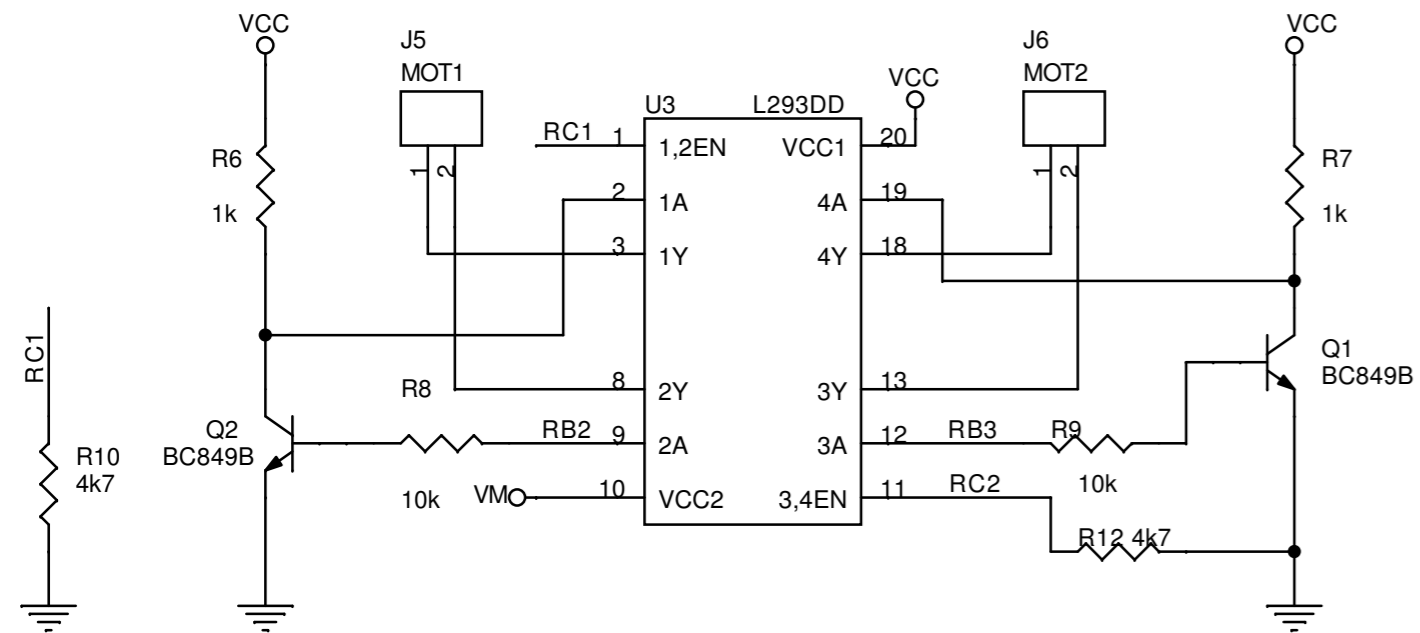
USB



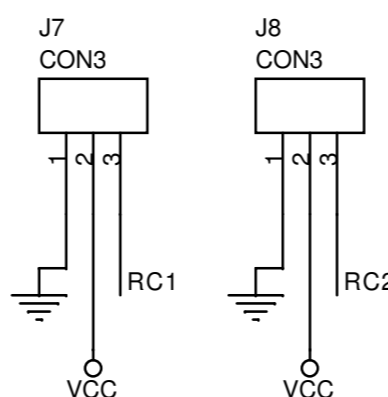
LCD Connector



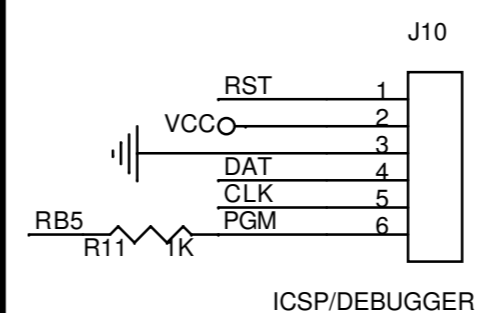
DC MOTORS



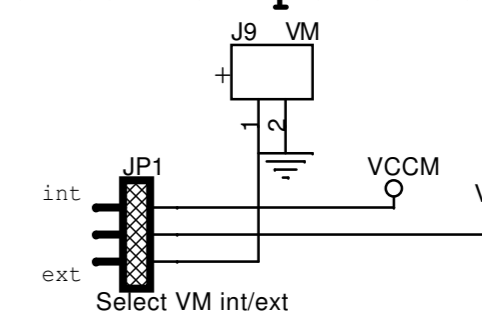
SERVOS



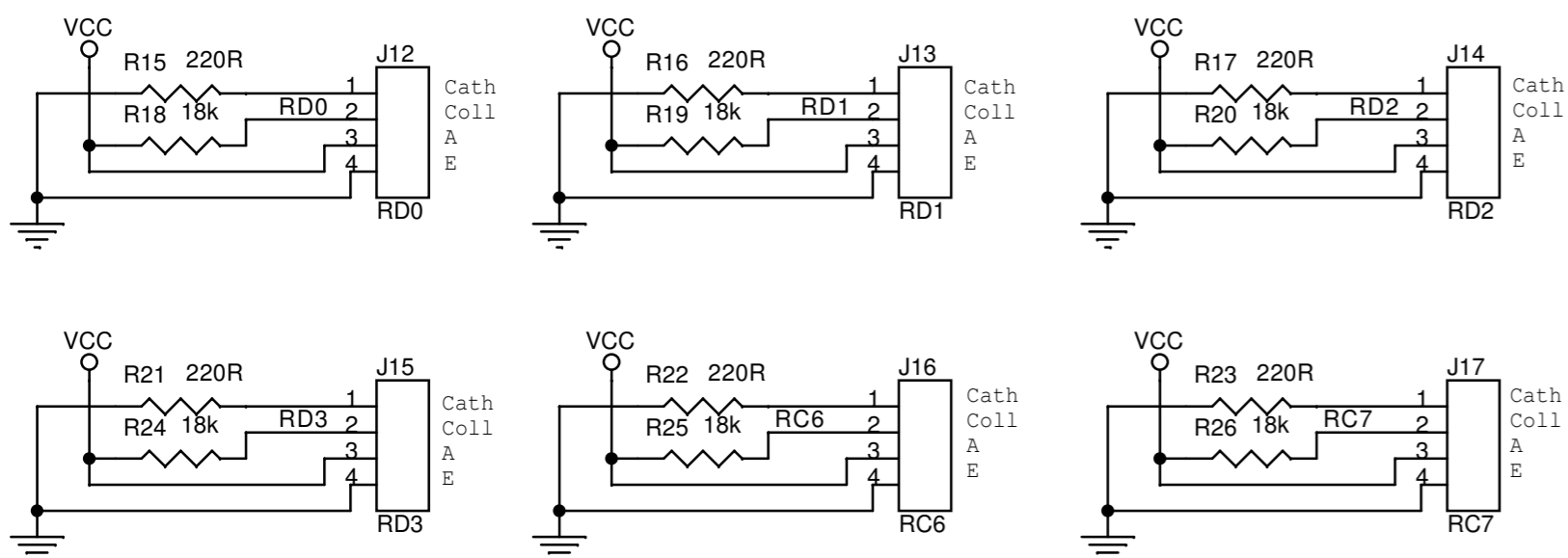
ICSP CONNECTOR
Pins with the same order than PICkit2 & PICkit3



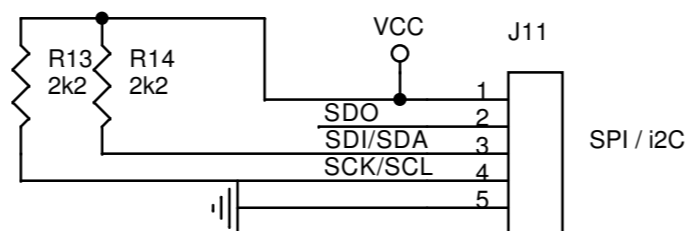
MOTOR FEEDING SELECTION
The 3-pin jumper allows to select the VM value between VCCM (integrated or circuit feeding) and an exterior power supply.



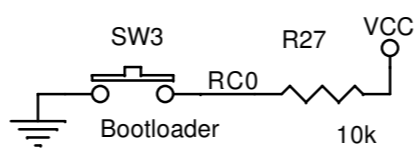
SENSOR INPUTS



SPI / i2C COMMUNICATION



USB PROGRAMMING
Hold pushed while Reset or USB connection



Taladros de sujeción
 TAL1 TAL2
 TAL3 TAL4



Centro	I.E.S. Virgen de las Nieves
Ciclo Formativo	Desarrollo de Productos Electrónicos
Proyecto	PROYECTO PLUMA
Documento	Mothboard PIC18F4550, TPC model
Fecha	Febrero de 2012
Formato	A3